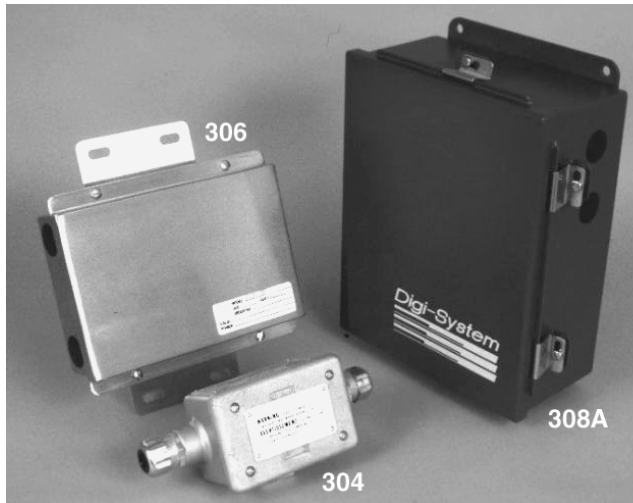


Summing Units, Extension Boxes, & Cables



FEATURES

- Summing units—analogue summing of up to eight (8) transducers (no trim pots that cause calibration shifts)
- Extension boxes—extend transducer cables without performance degradation
- System cables—custom manufactured for high performance over long distances and ranges of environmental conditions

DESCRIPTION

Model 308A and 306 Summing Units provide a multi-cell interface for load cell signal conditioning instrumentation. Versions available are capable of (analogue) summing up to 8 individual transducer signals. A wide range of enclosure options are available for washdown, corrosive, and electrical hazard applications.

Operationally, these units perform the multiple tasks of distributing excitation current, summing transducer output signals, and protecting wiring and connections. A unique circuit design in the 308A unit minimizes the effects of system unbalance and electrical leakage. This added protection is beneficial when equipment is located in a harsh, corrosive atmosphere. Model 306 units are compatible with Plug-n-Weigh in-

strument calibration procedures for faster system start-up.

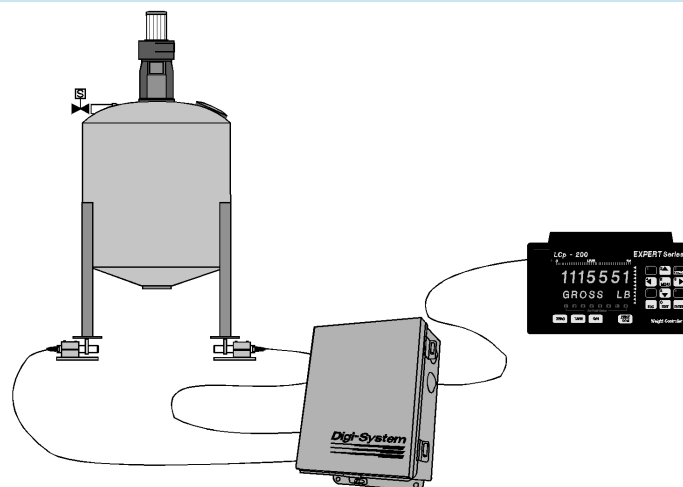
304 Extension Boxes are used whenever transducer cables are not long enough to reach the summing unit or system instrumentation. The internal terminal block or connection provides for either a four wire or six wire (remote sensing) hookup. A range of metallic enclosures are available for washdown, corrosive, and electrical hazard applications.

BLH offers a range of system cables for connection between the summing unit, junction box, and system instrumentation. These custom cables are designed for use over long distances without signal losses, temperature effects, undue EMI/RFI, or environmental deterioration.

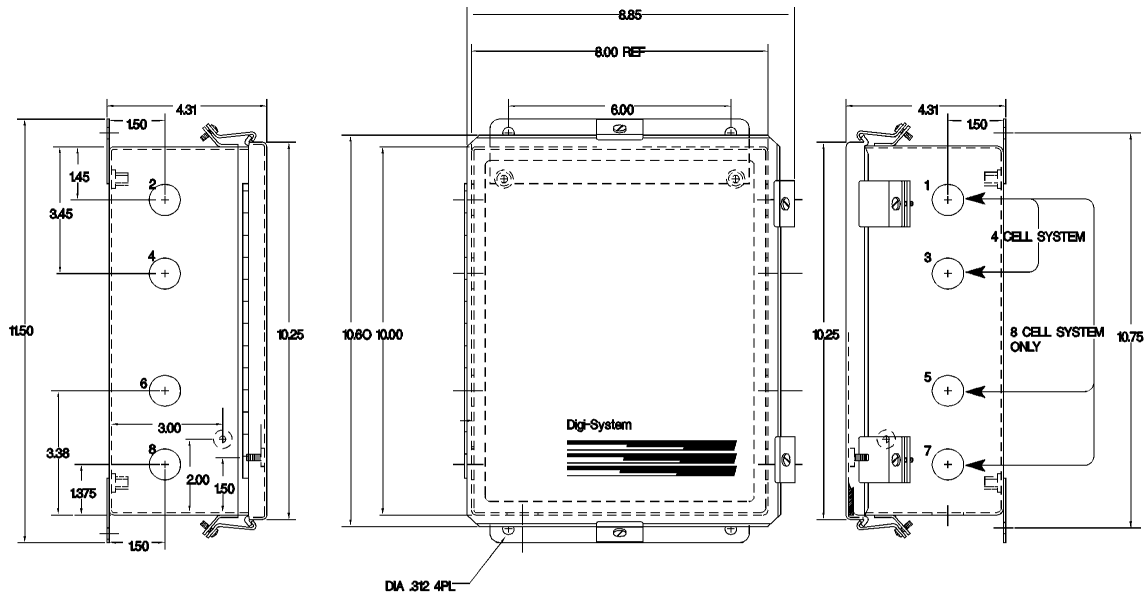
APPLICATIONS

- Load cell summing
- Hazardous location installations
- Cable extension boxes
- Cables

CONFIGURATION

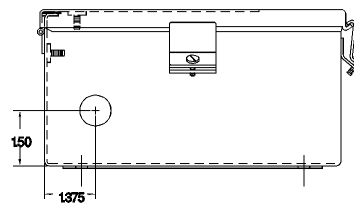


MODEL 308A SUMMING JUNCTION BOX



- 4 or 8 transducer capability
- Unbalance/leakage compensation
- Standard NEMA 4 enclosure
- Optional NEMA 4X or explosion-proof enclosures

Dimensions shown in inches

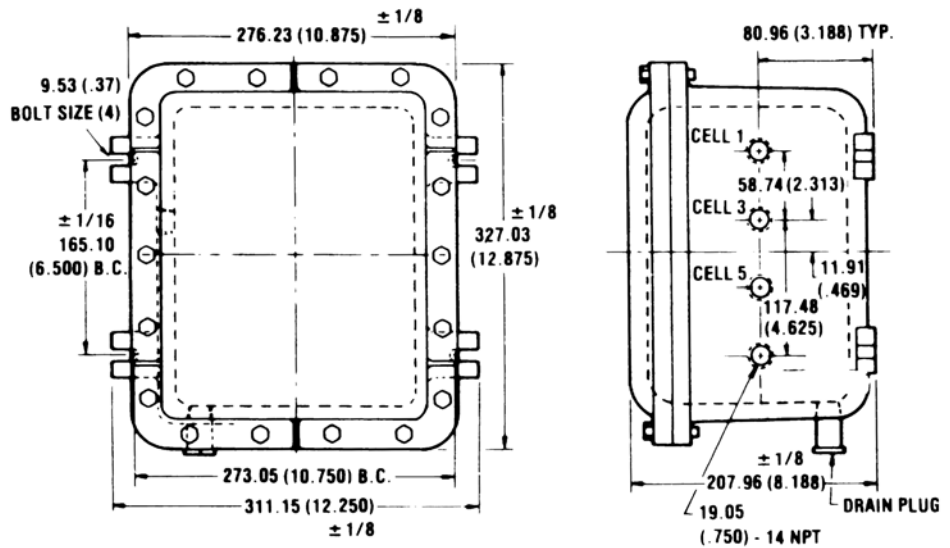


MODEL 308A EXPLOSION-PROOF OPTION

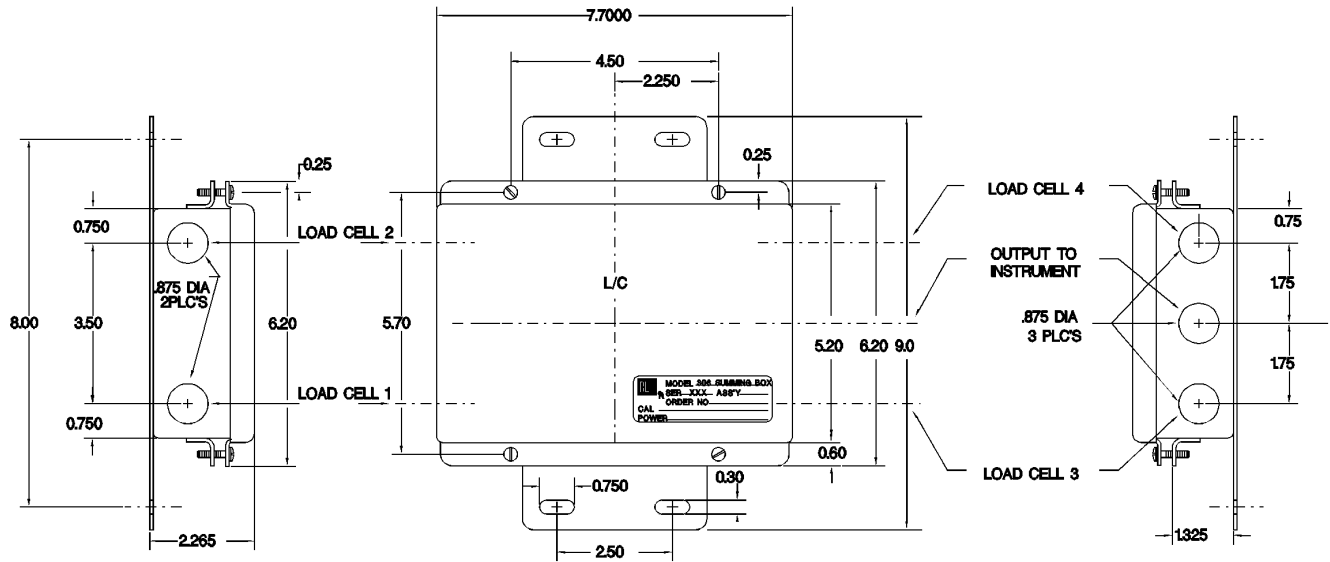
For Class II, Div. 1, Group E, F, G

NOTE: Load cells installed in Div. 1 hazardous locations must be protected with intrinsic safety barriers. Explosion-proof enclosures are not required in intrinsically safe systems.

Dimensions shown in mm (in.)



MODEL 306 SUMMING JUNCTION BOX



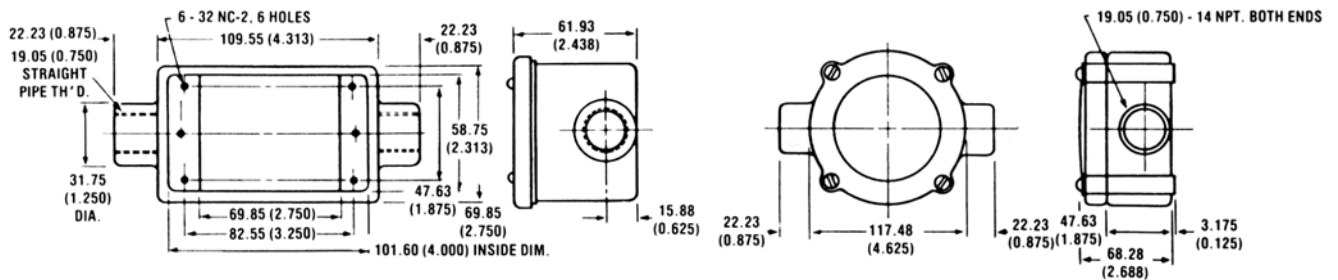
- 4 transducer capability standard; multiple units can be connected together for 8 cell systems
- Standard NEMA 4X stainless steel enclosure

Dimensions shown in inches

MODEL 304 EXTENSION BOX

Model 304 Outline (NEMA 4)

Model 304 EX Outline



- Extend cable length to reach summing box
- Supports applications requiring remote sensing
- Explosion-proof enclosure option

UL LISTED: DIV I, CLASS I, GROUP C, D; CLASS II, GROUP E, F, G.

Dimensions shown in mm (in.)

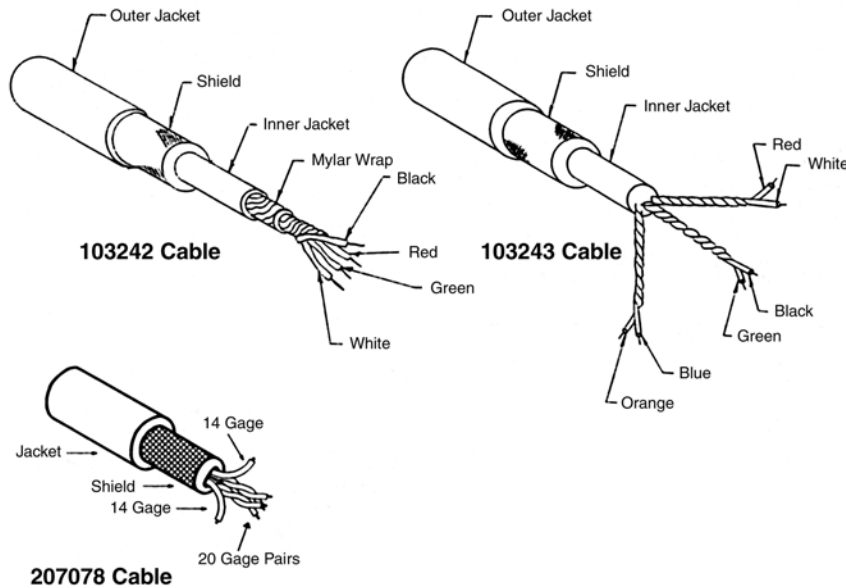
INSTRUMENTATION CABLES

Cables:

Special BLH instrumentation cables are recommended to insure that the full accuracy and dynamic performance of the transducers are maintained in the installed system. The special shielding and very high insulation resistance of BLH cables allows measurement of smaller signals and offer

greater accuracy at all signal levels. Cables are needed whenever required cable runs exceed the length of cable supplied with transducers and/or when outputs of several transducers must be summed into a single channel.

CATALOG NUMBER	103242	103243	207078
DESCRIPTION	4-conductor shielded	6-conductor shielded	6-conductor shielded
OUTSIDE DIAMETER	0.365"	0.450"	0.370"
CONDUCTORS	2 twisted pairs #20 AWG	3 twisted pairs #20 AWG	2 twisted pairs #20 AWG 2 single #14 AWG
INSULATION	teflon	teflon	polypropylene
INNER JACKET	waterproof polyethylene	waterproof TPR 5280 polyolefin	
OUTER JACKET	0.072" black hypalon	0.040/0.045" black hypalon	thermo-plastic TPR/TPE or neoprene
LEAKAGE TEST 50 Vdc between conductor and shield	1,000,000 meg-ohms/ft	1,000,000 meg-ohms/ft	400,000 meg-ohms/ft
MAX. TEMPERATURE Insulation	400°F	400°F	185°F
MAX. TEMPERATURE Outer jacket	195°F	195°F	221°F



Fitting Kits - BLH provides cable and conduit kits for NEMA 4/4X Junction Boxes. Each kit includes nine fittings, one for each enclosure opening. The conduit kit accommodates conduit dimensions from 1/2 to 3/4 of an inch in diameter. The cable kit accommodates cables from 0.125 to 0.375-inch diameters.

Cable Kit Part Number 466615

Conduit Kit Part Number 466614